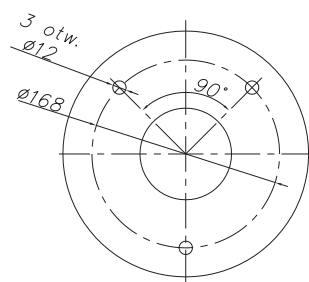


The flange adapted to hook the production METALCHEM-WARSZAWA
Possible other versions pump flange according to customer's requirement.

The flange adapted to hook for KS65, KS80 & KS80H



METALCHEM-WARSZAWA
SPÓŁKA AKCYJNA

GENERAL CHARACTERISTIC

Pumps MSV-15 are designed for pumping sanitary sewage and industrial applications. They are used in plumbing, sewage treatment plants and pumping stations. High Lifting allows to use them in high-pressure sewers with small cross-sections, but due to the small passage under the rotor 12-15mm is necessary to use gratings or other nets on the inflow to the pumping station.

The pumps have a limiter of temperature in three phases of the stator windings of the motor and switch of humidity. These elements preclude the possibility of damage to the engine in case of overload or moisture getting into it.

The engine is sealed from the side of the pump double mechanical seal in oil chamber.

The standard pump is equipped with 10 metres cable in neoprene sheath



OPERATING PARAMETERS

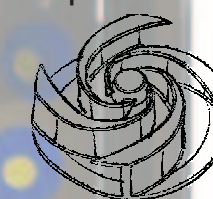
The density of sewage to 1100 kg / m³

Fluid temperature to 40 ° C

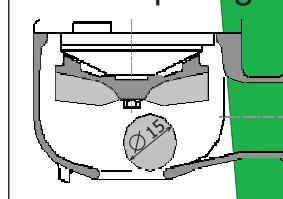
Maximum number of starts 25 / hour

Submersible pump MSV-15

Impeller Vortex



Free pasage



Sewage and industrial

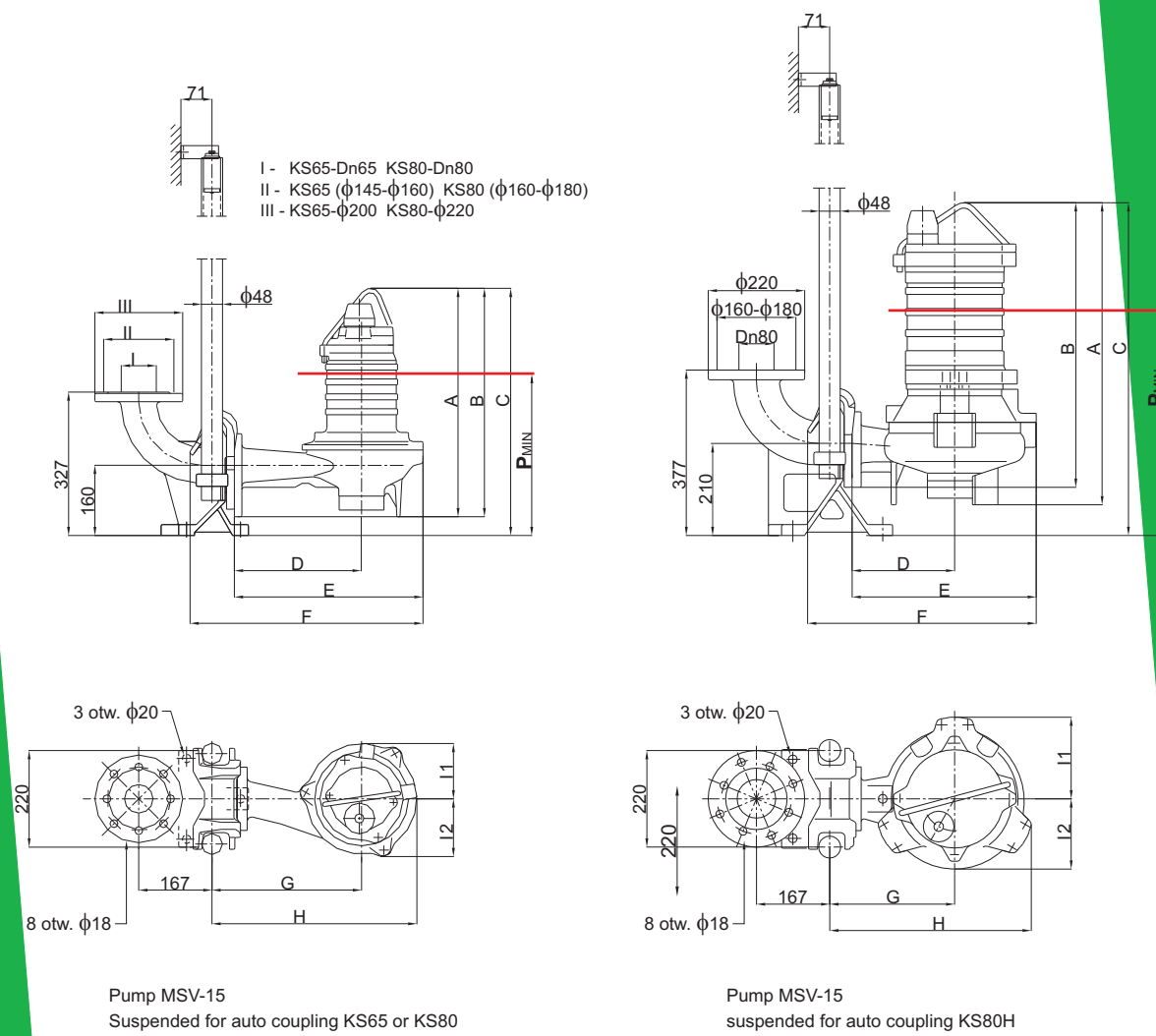
No.	Pump	Power [kW]	n [rpm]	Qn ¹ [l/s]	Hn ¹ [m]	In ² [A]	Zps ³ [A]	cosφ	η [%]	Passage [mm]	Auto coupling	Impeller type	Mass ⁴ [kg]
1	12	1,5	2835	5,0	9,5	3,2	4-6,3	0,83	81	12	KS65, KS80	Vortex	62
2	22	2,2	2855	5,2	15,5	4,7	4-6,3	0,82	83	12	KS65, KS80	Vortex	64
3	32	3,0	2845	6,0	20,0	6,6	6,3-10	0,82	81	12	KS65, KS80	Vortex	66
4	52	5,5	2890	11,1	17,3	10,7	10-16	0,86	86	15	KS80H	Vortex	150
5	72	7,5	2920	11,4	26,0	13,9	14-20	0,88	88	15	KS80H	Vortex	157
6	92	9,2	2920	10,0	35,0	16,8	18-25	0,89	88	15	KS80H	Vortex	163
7	112	11,0	2920	10,0	40,0	20,3	25	0,89	88	15	KS80H	Vortex	170

¹ For pumps MSV-15-72; -92 - 112 Qn is the maximum value and the minimum value Hn

² For pumps to 4,0 kW DOL pumps from 5.5 kW up starting intermediate star-delta

³ Motor overload protection

⁴7kg of pump mass include a pump hook and 10m cable



No.	Pump	A	B	C _{KS65*}	C _{KS80H}	D	E	F _{KS65*}	F _{KS80H}	G _{KS65*}	G _{KS80H}	H _{KS65*}	H _{KS80H}	I ₁	I ₂	P _{MIN}
1	12	520	520	563	-	289	430	531	-	341	-	467	-	126	132	400
2	22	520	520	563	-	289	430	531	-	341	-	467	-	126	132	400
3	32	520	520	563	-	289	430	531	-	341	-	467	-	126	132	400
4	52	688	648	-	758	234	420	-	521	-	285	-	460	186	160	600
5	72	758	718	-	828	234	420	-	521	-	285	-	460	186	160	600
6	92	758	718	-	828	234	420	-	521	-	285	-	460	186	160	600
7	112	758	718	-	828	234	420	-	521	-	285	-	460	186	160	600

* The same dimension for KS65 and KS80

APPLIED MATERIALS

Motor body, pump body, impeller, hook, auto coupling - cast GJL200, GJL250.
 The pump shaft - stainless steel.
 Fasteners - Stainless steel.
 Bearings - ball single row.
 Front double mechanical seal.
 Epoxy paint finish.

PUMP MOTORS 400V / 50Hz

Insulation class F

STANDARDS

ISO 9908
 ISO 2548 STANDARD CLASS B

METALCHEM-WARSZAWA Spółka Akcyjna

Studienna 7a street, 01-259 Warsaw, Poland
 www.metalchemsa.pl

Headquarters: +48 22 837 12 70
 Secretariat: +48 22 836 07 61
 Fax: +48 22 836 89 50

