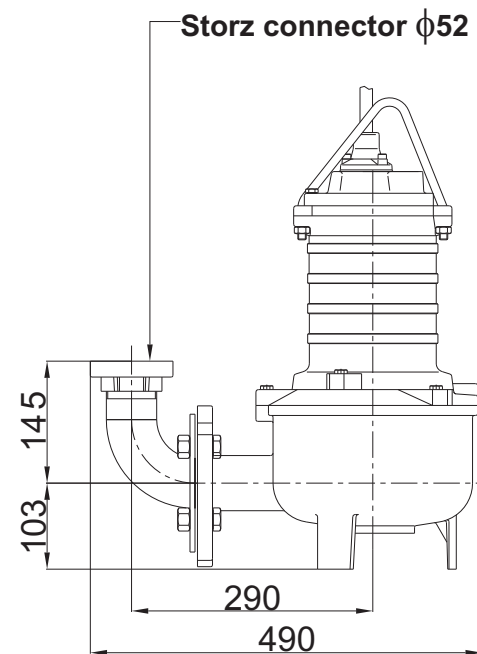


Other type of adapter

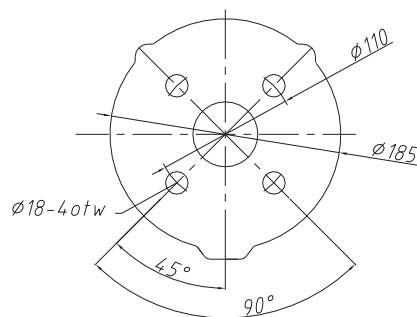
Version with connector Storz $\phi 52$



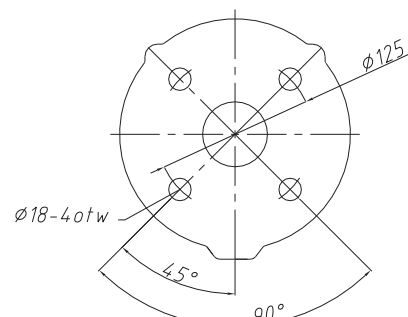
Typical version of flanges

Possible other versions pump flange according to customer's requirement.

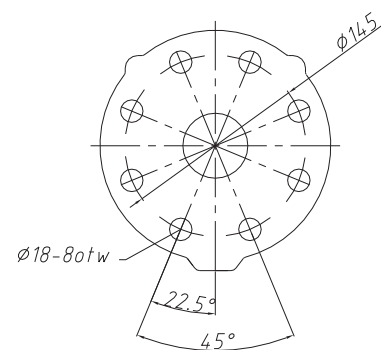
Flange Dn40 Pn16



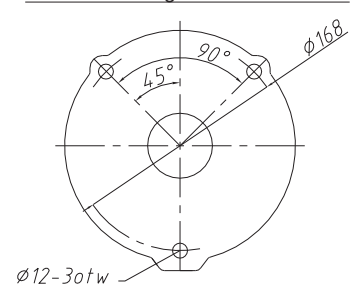
Flange Dn50 Pn16



Flange Dn65 Pn16



Metalchem flanges for KS80



METALCHEM-WARSZAWA
SPÓŁKA AKCYJNA

GENERAL CHARACTERISTIC

Pumps MSV-50 are designed for pumping sanitary sewage and industrial applications, drainage water and rainwater. They are used in plumbing, sewage treatment plants and pumping stations and many types of drainage systems. Free passage under the impeller solids of up to 50mm provides seamless interoperability with pipelines with diameters DN50, DN65 and larger.

The pumps have a limiter of temperature in three phases of the stator windings of the motor and switch of humidity. These elements preclude the possibility of damage to the engine in case of overload or moisture getting into it. The engine is sealed from the side of the pump double mechanical seal in oil chamber.

The standard pump is equipped with 10 metres cable in neoprene sheath.

OPERATING PARAMETERS

The density of sewage to 1100 kg/m³

Fluid temperature to 40 °C

Maximum number of starts 25 / hour

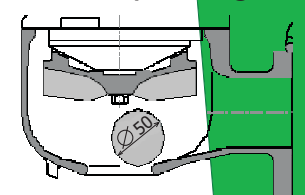


Submersible pumps MSV-50

Impeller Vortex



Free passage



Sewage and industrial

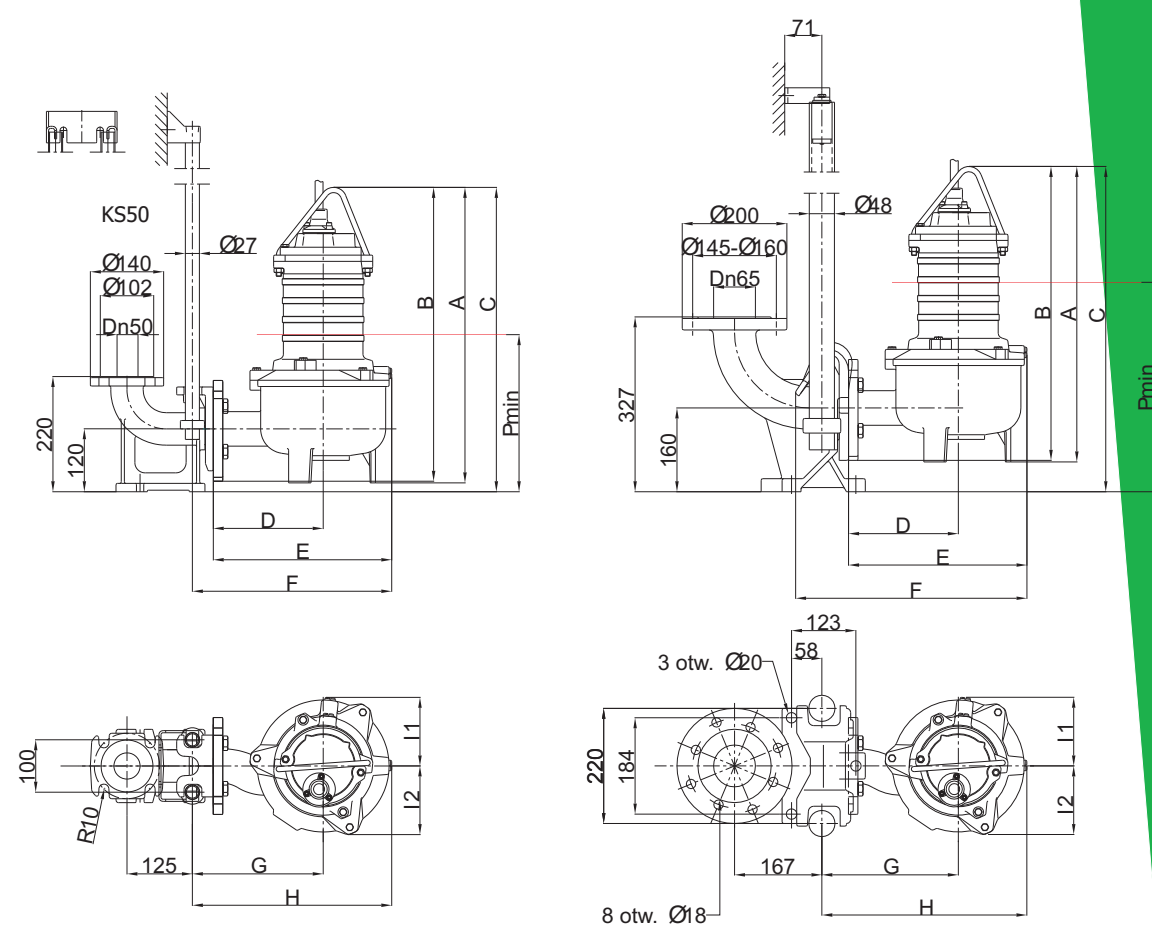
No.	Pump	Power [kW]	n [rpm]	Qn ¹ [l/s]	Hn ¹ [m]	In ² [A]	Zps ³ [A]	cosφ	η [%]	Passage [mm]	Auto coupling	Impeller type	Mass ⁴ [kg]
1	12	1,5	2835	5,3	9,0	3,2	4-6,3	0,83	81	50	KS50, KS65	Vortex	54
2	22	2,2	2855	8,2	9,3	4,7	4-6,3	0,82	83	50	KS50, KS65	Vortex	55
3	32	3,0	2845	8,0	13,3	6,6	6,3-10	0,82	81	50	KS50, KS65	Vortex	57
4	42L	4,0	2885	7,5	15,0	8,2	10-16	0,85	82	50	KS50, KS65	Vortex	73
5	42H	4,0	2885	6,0	20,0	8,2	10-16	0,85	82	50	KS50, KS65	Vortex	74
6	52L	5,5	2900	8,6	17,0	11,4	10-16	0,82	84	50	KS50, KS65	Vortex	78
7	52H	5,5	2900	8,4	20,0	11,4	10-16	0,82	84	50	KS50, KS65	Vortex	79
8	14L	1,1	1405	5,5	4,3	2,6	2,5-4	0,80	77	50	KS50, KS65	Vortex	53
9	14M	1,1	1405	5,8	5,7	2,6	2,5-4	0,80	77	50	KS50, KS65	Vortex	54
10	14H	1,5	1410	7,4	6,0	3,5	4-6,3	0,78	79	50	KS50, KS65	Vortex	55
11	24	2,2	1410	7,6	8,0	5,2	4-6,3	0,78	78	50	KS50, KS65	Vortex	57

¹ For pumps H Qn is the maximum value and the minimum value Hn

² For pumps to 4,0 kW DOL pumps from 5.5 kW up starting intermediate star-delta

³ Motor overload protection

⁴ kg of pump mass include a pump hook and 10m cable



Pump MSV50
suspended for auto coupling KS50

Pump MSV50
suspended for auto coupling KS65

No.	Pump	A	B	C _{KS50}	C _{KS65}	D	E	F _{KS50}	F _{KS65}	G _{KS50}	G _{KS65}	H _{KS50}	H _{KS65}	l ₁	l ₂	P _{MIN}
1	12	564	561	581	621	210	341	381	442	250	261	381	392	131	131	300
2	22	564	561	581	621	210	341	381	442	250	261	381	392	131	131	300
3	32	564	561	581	621	210	341	381	442	250	261	381	392	131	131	300
4	42L	722	712	732	772	210	336	405	406	250	261	376	392	126	131	450
5	42H	722	712	732	772	210	336	405	406	250	261	376	392	126	131	450
6	52L	722	712	732	772	210	336	405	406	250	261	376	392	126	131	450
7	52H	722	712	732	772	210	336	405	406	250	261	376	392	126	131	450
8	14L	564	561	581	621	210	341	381	442	250	261	381	392	131	131	300
9	14M	564	561	581	621	210	341	381	442	250	261	381	392	131	131	300
10	14H	564	561	581	621	210	341	381	422	250	261	381	392	131	131	300
11	24	564	561	581	621	210	341	381	422	250	261	381	392	131	131	300

APPLIED MATERIALS

Motor body, pump body, impeller, hook, auto coupling - cast GJL200, GJLL250.
 The pump shaft - stainless steel.
 Fasteners - Stainless steel.
 Bearings - ball single row.
 Front double mechanical seal.
 Epoxy paint finish.

PUMP MOTORS 400V / 50Hz

Insulation class F

STANDARDS

ISO 9908
 ISO 2548 STANDARD CLASS B

METALCHEM-WARSZAWA Spółka Akcyjna

Studienna 7a street, 01-259 Warsaw, Poland
 www.metalchemsa.pl

Headquarters: +48 22 837 12 70
 Secretariat: +48 22 836 07 61
 Fax: +48 22 836 89 50

